

# MOTORIZED WATER SHUTOFF VALVE

The Motorized Water Shutoff Valve may be used with a Wi-Fi connected water softener and the iQua™ app to remotely turn off the home's water supply. For example, you may want to turn off the water when going away on vacation. Install the motorized shutoff valve in the plumbing, upstream of the softener (see page 2), and plug the cable into the softener's electronic control board with the power off (see page 2 and Schematic Figure 1).

On the iQua™ app, near the bottom of the softener's main dashboard, there is a line labeled "Water Control" with a button that, when pressed, alternates between "Water On" and "Water Off". If you receive an alert indi-

cating continuous water flow, you can use this control to remotely shut off the water.

The system default for triggering a continuous water flow alert is 20 minutes of flow at 0.4 gallons per minute or higher. The time and water flow trigger values may also be adjusted in the "Alerts" section.

To manually operate the motorized water shutoff valve, pull out the round knob on the valve and turn it until the red line in the sight glass matches the desired (open or closed) position. See Figure 2. If you manually operate the valve, the app's "Water Control" feature will be disabled until you reset it by clicking "Yes" next to the "Regain Control?" prompt.

## Wiring Schematic

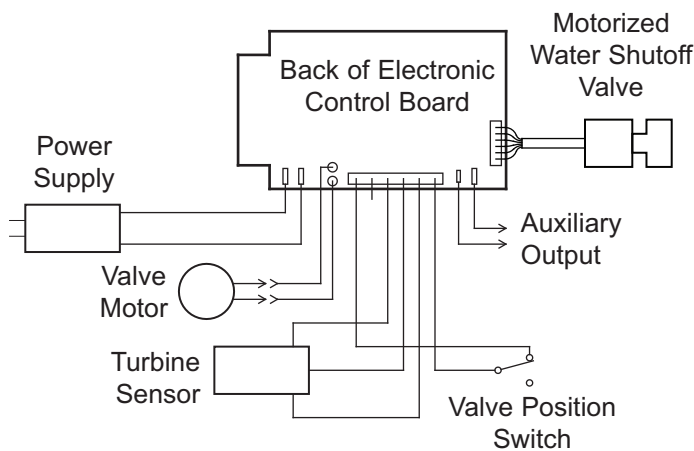


FIG. 1

## Motorized Water Shutoff Valve

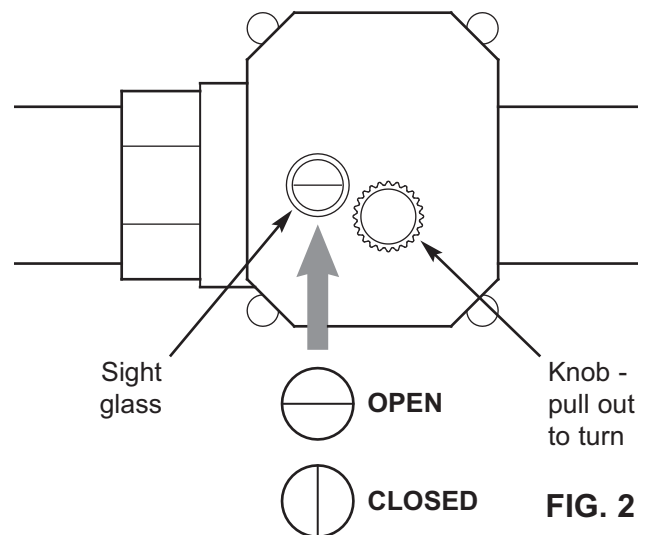


FIG. 2

## ONE YEAR LIMITED WARRANTY

Warrantor: Ecodyne Water Systems, 1890 Woodlane Drive, Woodbury, MN 55125

Warrantor guarantees, to the original owner, that the Motorized Water Shutoff Valve, when installed and maintained in accordance with the instructions, will be free from defects in materials and workmanship for a period of one year from date of installation. If, within the first year, a part proves, after inspection, to be defective, Warrantor will, at its sole option, either replace or repair the part without charge except installation charges. Labor to maintain the equipment is not part of the warranty.

TO OBTAIN WARRANTY PARTS, SIMPLY CALL 1-800-693-1604 for assistance. This warranty applies only while this product is in use in the United States or Canada.

### General Provisions

The above warranties are effective provided the Motorized Water Shutoff Valve is operated at water pressures not exceeding 100 psi, and at water temperatures not exceeding 100°F; provided further that the Motorized Water Shutoff Valve is not subject to abuse, misuse, alteration, neglect, freezing, accident or negligence; and provided further that the Motorized Water Shutoff Valve is not damaged as the result of any unusual force of nature such as, but not limited to, flood, hurricane, tornado or earthquake. Warrantor is excused if failure to perform its warranty obligations is the result of strikes, government regulation, materials shortages, or other circumstances beyond its control.

**THERE ARE NO WARRANTIES ON THE WHOLE HOME WATER FILTRATION SYSTEM BEYOND THOSE SPECIFICALLY DESCRIBED ABOVE. ALL IMPLIED WARRANTIES, INCLUDING ANY IMPLIED WARRANTY OF MERCHANTABILITY OR OF FITNESS FOR A PARTICULAR PURPOSE, ARE DISCLAIMED TO THE EXTENT THEY MIGHT EXTEND BEYOND THE ABOVE PERIODS. THE SOLE OBLIGATION OF WARRANTOR UNDER THESE WARRANTIES IS TO REPLACE OR REPAIR THE COMPONENT OR PART WHICH PROVES TO BE DEFECTIVE WITHIN THE SPECIFIED TIME PERIOD, AND WARRANTOR IS NOT LIABLE FOR CONSEQUENTIAL OR INCIDENTAL DAMAGES. NO WARRANTOR DEALER, AGENT, REPRESENTATIVE, OR OTHER PERSON IS AUTHORIZED TO EXTEND OR EXPAND THE WARRANTIES EXPRESSLY DESCRIBED ABOVE.**

Some states do not allow limitations on how long an implied warranty lasts or exclusions or limitations of incidental or consequential damage, so the limitations and exclusions in this warranty may not apply to you. This warranty gives you specific legal rights, and you may have other rights which vary from state to state. This warranty applies to consumer-owned installations only.

# MOTORIZED WATER SHUTOFF VALVE (continued)

## TYPICAL INSTALLATION

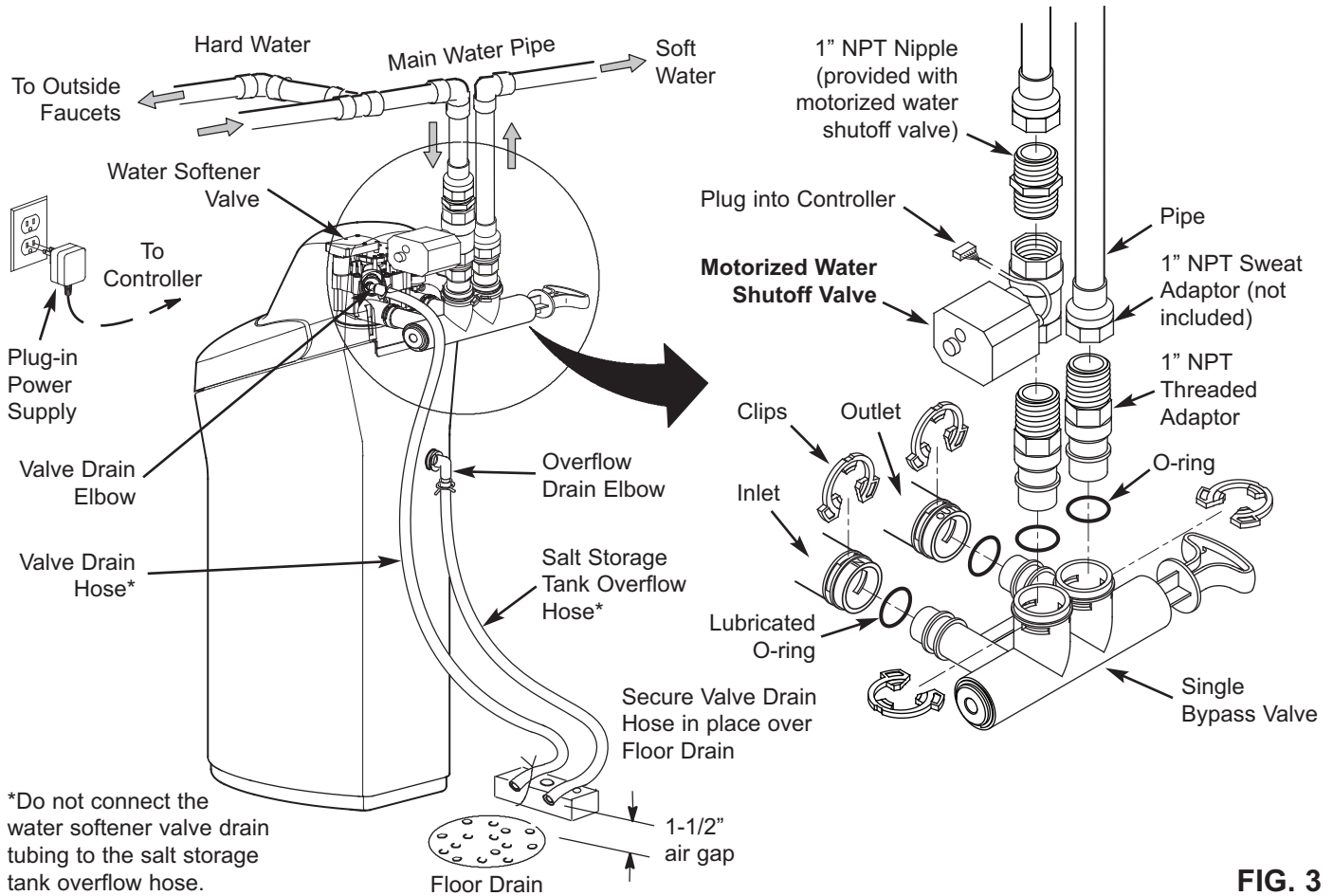


FIG. 3

## Install the Motorized Water Shutoff Valve

Install the water shutoff valve in the plumbing upstream of the softener inlet. Figure 3 shows installation with the shutoff valve immediately upstream of the bypass valve inlet, using one of the softener's installation adaptors and the 1" NPT nipple provided with the shutoff valve.

The shutoff valve may also be installed in the plumbing farther upstream of the softener, making sure that the 10 foot long cable will reach the softener's electronic control board (See Figure 4). The shutoff valve's inlet and outlet are female 1" NPT. Support the weight of the shutoff valve.

After completing plumbing, make sure that the water softener is not powered up, and plug the cable from the shutoff valve into the corresponding connector on the electronic control board (See Fig. 4 or Schematic on Page 1).

**CAUTION:** Do not place fingers into the motorized shutoff valve when it is plugged into the electronic controller.

**NOTE:** The shutoff valve may be operated manually by pulling out and turning the knob on the shutoff valve body (See Fig. 2 on Page 1), although there is no need to do this when installing.

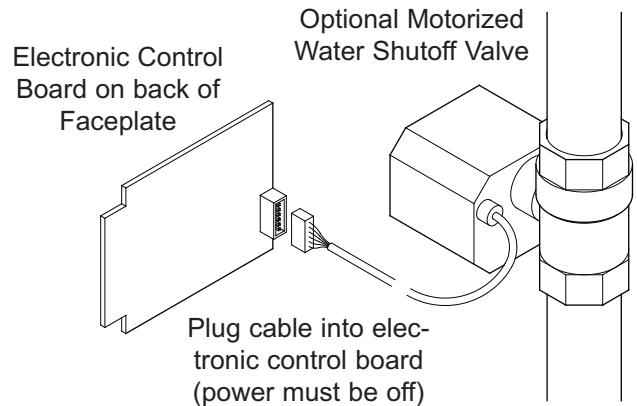


FIG. 4

This valve has been tested and certified by NSF International against NSF/ANSI Standard 44 for structural integrity and materials safety only.

